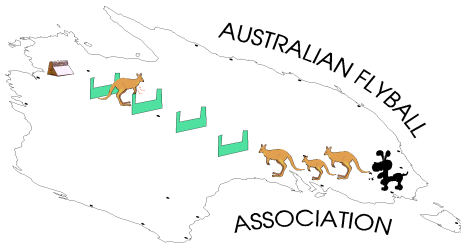


'THE FLYING TIMES'



Australian Flyball Association Inc.

Homepage: www.flyball.org.au

“A Flyball Dogs Tale” (by Holly Lindsay)

It's Saturday and somfings going oooooonnnnn. Wait for it ---- Dad's packing the car 'Wow' lots of stuff! I wonder if us dogs get to go. Oooh look! that's my cage going in, please, please me to, me to, me tooooo! Best stay nice and close, nice and close, to the car - don't forget to put me in. Oooh - there goes Sox's cage, oh, and all of the stuff for the Poodles (spoilt little sods).

'Wow' Look at the stuff mums packing - leave room for me Mum, please, please, please.

What's next Dad, what's next! What's he looking for, What's he looking for! Daaad what are you looking for? I can help, I can help! Aaaaaaaah Dad - Flybaaaaall Dad, Flyball Dad is that where we're going? Yipeeeeeeee! Dad's packing the flyball gear.

My turn, my turn - get out of the road Sox it's my turn to get in the caaaaaaar! Hey, HEY wait a minute - that's not fair -why are the Poodles travelling up front in first class when Sox and I have to travel in third class down the back? What do you mean shedding? I didn't know Labradors shed. I thought that was what those white Siberian things did. I saw the movie and it didn't look much like fun to me.

Ho hum, it's been hours since we left home. Sox, Sox, WAKE UP! "ARE WE THERE YET?" We're slowing, sloooowing - stopping, there's a sign, oh no! it's that Canberra sign. I remember this place from last time, it's a cold hole. Not the verandaa please Mum, please Mum don't make me sleep outside on the veranda again doooooon't.



Yahoooooo! Dad's taken all of the crates inside. Me first, me first, me first - look out Sox, look out I'm coming iinnnn. BUGGER! those poodles have first class again, they are on the bed. I WANNA BE A POOOODLE!

Dinner, DINNER, DINNA, FOOOOOOD !(best 4 seconds in the day). Done Dad, walkies Dad, walkies Dad, Daaaaad I need a walk. Pee Holly, Pee Holly, stop sniffing Holly, you need to pee Holly, stop sniiiiiffing, Peeeeeeeeeeee! Aaaaaaah what a relieeeeeeeef, I hate sleeping with my legs crossed.

Sunlight Dad, Daaaaaad 'SUNLIGHT'! open the crate, open the crate. FREEEEEEEE! Run, run, run, chase me Dad, chase me Dad, faster Dad faster! He loves to chase me with the lead in his hand. Whoops need a pee, need a pee - quick Dad quiiiiick.

In the car, in the car, lets go lets go, come on let's get to the Cooooomp.

Dogs, dogs lots of dogs - look at all of the dogs here. There's Barney (BARNEEEEEYYYYY) the Shepherd, Georgie (GEOOOOORGIEEEEE) another Lab just like me (well nearly as cute), Delta (DELTAATAAAAA) the Staffie (she's fast) and Basil (BASIIILLLLLL) the Cattle Dog. He thinks he's tough but he doesn't even scare the poodles.

SEEEYAAA Sox, SEEEYAAA Whoopi, (they're in another team). I wish them all luck via the usual nose up the butt salute.

Lights, LIGHTS - WHO TURNED ON DEM LIGHTS. LIGHTS, LIGHTS, LIGHTS, LIIIIIGHTS.

Here we gooooo, serious stuff now, serious stuff shhhhhhhhhhhhhhhhhhhhh! Stop barking Holly, Stop barking Holly, STOP BARKING! CAN'T, CAN'T, CAN'T CAN'T, CAAAAAN'T!

First race of the day! I'm in, I'm in, where, where, where do I go? Behind Delta, I'm behind Delta. What do I do???? Remember, remember - come on Holly THINK! Ignore all of the foooooood smells, NO FOOD. JUMPS - that's right there's 4 jumps Holly THINK, have to jump all of them. BALL - get the ball Holly. THEN WHAT! Run back, run back Holly. JUMPS - all 4 jumps, keep the ball in the mouth, THAT'S IT, THAT'S IT - GO FAST, GO FAAAAAST.

Lights, LIGHTS, LIGHTS - ACTIOOOON! We're off and Delta is already at the box, LET ME GO DAD, LET ME GOOOOOO! I'M FLYYYYYING, over the jumps, got the ball, now back, FASTER, FAAAAASTEEEEER!. GO Barney GO. We're ahead, WE'RE AHEAD! Basil is running like a train. Come on BAAAASIIIIIL! You can beat THAT Border,

WELL PERHAPS NOT. Still it's only the first heat out of three.

Heat 2, Lights, LIGHTS, LIGHTS - ACTIOOOON! You BEAUTY Delta's got the lead. ME, ME, ME, (I am against the border this time). WHERE do they get all that energy? I'm going as fast as I can, but the Border is so fast. BARNEY, BASIL it's up to YOUUUUUSSSSS!. GO Barney, GO Basil. We WOOOONNNN!. That's one all.

3rd heat, Lights, LIGHTS, LIGHTS - ACTIOOOON! CLOSE, CLOSE, CLOOOOSSSE! YIPEEE! the Border fumbles the ball and we WIIIIINNNNN!. LOOSERS. I know you are meant to be nice but they were borders.

Rest Dad, Rest Dad. There's my crate! Must be lunchtime?

Seems I missed lunch as we are up racing again.



I'm not racing this time as Georgie is taking my place. I still have to go out to the ring and bark and roll on the ground like a big worm. That's what you do when you are 5th dog-well it's what we Labs do anyway. I was so busy barking and rolling I didn't see who won, but on the way out the others tell me we

won 3 nil. Good work fellows. Hope all my barking helped.

Next race, HEY - wait a minute there seems to be LOTS of black and white borders on the other team, IS THAT ALLOWED?????

Heat 1, Lights, LIGHTS, LIGHTS - ACTIOOOON! WHOOOOPIEEEE! Their second dogs missed a jump.

Heat 2, Lights, LIGHTS, LIGHTS - ACTIOOOON! Too close, too close. Basil, BAAASIIIL DON'T DROP THE BAAAAL! (You would think a Cattle dog would know how to hang onto things). It's one all and they are changing their team AND BRINGING IN A

THIRD BORDER. THAT'S NOT FAIR!!!!. Wait, wait - their jump high has gone up to 16 inches. That should slow them down.

Lights, LIGHTS, LIGHTS – ACTIOOOON! WE'RE OOOFFFF! GO DELTA GO, (Delta has held her own against the first border), BARNEEEY! Only a nose behind the second border. ME, ME, ME, There's ANOTHER Border. HEY, YOU CAN'T DO THAAAT! (He missed all of the jumps on the way back, that's cheating). I hope the judge noticed (sometimes they are asleep and don't see anything). He did notice as he has his arm out. BAAASIIL! Well done Basil. WE WIN – WHOOOOPEEEEE! Take that you Borders.

Drink Dad, drink dad, thanks Dad I needed that drink.

Basil are we winning, are we, are we???? Maybe Holly, Maybeeeeee. We might beeeeee!!!! (That's important as sometimes you get trophies and SOMETIMES you can eat them).

It's Presentation time. We did win. GREAT! WHAT'S THE PRIZE, CAN I EAT IT, CAN I, CAN I? A BOWL. "YUK" you can't eat a bowl.

I wonder how Sox and Whoopi did? They came second and they get a prize. Food I hope. IT'S two more BOWLS. Just what we need three bowls. HOW ABOUT SOMETHING TO PUT IN THEM, FELLOWS.

Its back to the Cabin for a beer – well Dad has one anyway.

I geeeeeet, Dinner, DINNER, DINNA, FOOOOOOD. WOW! Not bad whatever it was. One time I must look and see what it is before I eat it.

These are great weekends away. I LOVE BEING A FLYBALL DOG.

Licks and kisses - Holly

Inside This Issue

A Flyball Dogs Tale.....	1	SA Regional Report	16
Editor's Say	3	VIC Regional Report.....	16
Presidents Report	4	A Message from Tasmania.....	18
From the Committee.....	5	Competition Results	18
Club & Team Co-ordinators.....	5	Calendar of Events	19
Members Information.....	7	Blast From the Past.....	20
Turbo Style.....	11	Jump Pattern 1.....	24
Regional Reports.....	11	Jump Pattern 2.....	25
ACT Regional Report	11	Jump Padding Pattern.....	26
NSW Regional Report.....	12	Title Points Update.....	27
Qld Regional Report	15	AFA Contact Details.....	28

Editor's Say



It is important for all AFA members to read the association's newsletter. The AFA provides these newsletters free of charge when downloaded from the AFA website. There is lots of valuable information in each newsletter and it is important to read every section in every newsletter. This assists the AFA with keeping its members up to date with as much information that is available at the time. It also assists the AFA with the amount of repetitive correspondence it receives.

At present the AFA receives more than 200 emails per month. This creates an enormous amount of work for the AFA committee members, 50% of emails could be answered if members read the entire newsletter or checked the website for their answers before sending emails. Due to the large

amount of correspondence the AFA have only listed contact emails for the regional representatives. Because we have split the correspondence to individual regions this should speed up the process. Please remember that most of the committee members do work, members should realise that most requests will not be looked at until the weekends. The committee members are volunteer's not full time employees.

Any member wishing to partake in the writing of the AFA history can still forward their answers to Ann's questions to the Historian care of the AFA PO Box.

Articles for the AFA Flying Times can be sent via email to: flyingt看imes@flyball.org.au (Please include a small write up with each photo sent in and try to keep photo's under 100kb) or information can be mailed to the AFA Flying Times via: PO Box 4054, Raceview, QLD 4305. Please direct all other queries to your **Regional Representative** all contact details are on the back page of this newsletter as well as contact details for the AFA webmaster.

Happy Flyballing - Ed

President's Report – Nov 2005

With Christmas fast approaching I would like to wish everyone a safe and happy festive period.

Recent developments have seen the committee adopt a proposal put forward by Mrs. June Hunter regarding the availability of title's displaying points earned under the current title point system for a limited period after changing to the new system on January 1 2006 details of the proposal can be found on the web site.

The committee are in the process of deciding on the purchase of a new Electronic Judging System (EJS), a decision has been made that the AFA must initially have one new EJS to enable a set to be located in NSW who currently share with the ACT.

The primary condition that must be met prior to purchasing a new set is the three existing EJS sets owned by the AFA must be operating correctly, at the time of writing this report I can confirm that the problems identified in an extensive performance audit have been pinpointed and corrected.

We are investigating the possibility of purchasing a wireless EJS from Signature Systems in Missouri USA, Signature currently have three Agility systems in Australia operating on the same principal as the systems they supply to NAFA for Flyball Racing with a fourth to be delivered within weeks.

I have contacted the Agility Dog Association of Australia they have been using them for the last two years and they describe the systems as excellent.

NAFA paid significant sums of money to have Signature develop a similar system for Flyball Racing and now have 10 Signature systems in use.

I have spoken to NAFA board member Todd Morningstar who has described the systems as excellent.

The Signature system has many features not available in Australia, notably the system operates wirelessly (no cables) with the exception of the optional extras of speaker and large display boards that can be read by competitors spectators and media these require 240volt power, although data transfer is still wireless.

The start gates don't have reflectors like the AFA's current system, it has senders and receivers, vertical gaps between our existing detection beams is 4", on the Signature system the biggest gap is 0.5".

A new Signature System is expensive, a complete system including the optional extras (Large Displays & speaker) is approximately \$16000.00 AUD a system capable of providing similar reliability and operating features is not available in Australia nor has one been identified internationally that can enhance the racing experience whilst at the same time offering a huge leap in technology, large displays enabling host clubs to present the sport more professionally to the public, sponsors and media.

Should the committee decide to purchase the Signature System the potentially contentious issue of where the first of the advanced systems will be primarily based has been discussed, the committee considered this issue at length and the majority of

committee members decided to base the first system in Victoria.

Victoria was selected because they host the largest number of competitions per year, this was not the only consideration, another consideration was for any new system to be based In ACT/NSW as it is a more central location, all new systems the AFA have purchased in the past have been based in Queanbeyan/ACT, Victoria have the oldest system and host the most competitions, it is envisaged the new system will go to Victoria and there current system will move to NSW.

It is envisaged that in twelve to eighteen months the AFA will purchase another new system to be based in ACT/NSW this will make an existing system available for a new region.

During the intervening period between purchasing the first and second of any new system all members should remember that the EJS systems belong to all AFA members and as such allocation is decided by the AFA committee. This means if a state other than Victoria were hosting a major event they could request the new system be made available for that event.

I would like to see a new system available for the Canberra Royal and Nationals in Melbourne next year enabling many teams from all over Australia to enjoy their investment prior to having a similar system available in their region.

I would also like to welcome Vicki Clever to the AFA management team, Vicki has nominated for the position of NSW Regional Representative and the nomination was accepted at the last AFA committee meeting.

Steve Pitt - President

From the Committee

Meeting 5th Sep 2005

- Victorian Regional Representative appointed. (Emma Le Cras)
- Title points deducted from teams with non-financial members racing.

Meeting 4th Oct 2005

- Nationals 2006 at Ringwood approved.

- Clubs encouraged to check the calendar of events page for clashes before requesting sanctioning of events.
- EJS Levy increase approved at AGM for pre-sanctioned competitions will affect competitions sanctioned after 5th September 2005.
- Glenn Pritchard appointed as interim NSW Regional Representative until nominations close and new Regional Representative nominated.
- New Training Policy approved.

Meeting 7th November 2005

- Life members will also have to subscribe to the AFA newsletter if they wish to receive a printed copy.
- Junior flyball participants (handlers, ball shaggers, box loaders) will be allowed to participate in AFA competitions and demonstrations, provided they are under the supervision of an AFA member who is their parent or guardian.
- Award pins - June Hunter's proposal for awarding of pins to dogs who are close to the required number of points at the time of the changeover to the new points' system (1 Jan 2006). (see members information for more)
- New timing/light system - Should the AFA receive the new Signature system prior to the 2006 Nationals, then the system will be based in Victoria.
- Security at competitions - it is recommended that competition organisers provide a fenced area where the general public cannot have access.
- Advertising links on AFA website - ACDA and Pet Directory be allowed to establish a link on the AFA website; the links will be reviewed on an annual basis.
- NSW Regional Representative – Vicki Clever's nomination received and approved.

Club & Team Coordinators

New – Training Day Policy

Introduction

The Australian Flyball Association (AFA) needs a Training Day Policy so that we can promote the sport of Flyball by giving handlers and dogs a taste of Flyball in a controlled environment and ensure that AFA rules, policies and guidelines can be

applied consistently across Australia at “AFA Sanctioned Training Days”.

Sanctioned Training Days Aims & Objectives:

As well as promoting Flyball, Training Days play an important role in giving dogs new to Flyball an opportunity to try Flyball training before they join a Flyball club and the AFA.

Sign Up Process

Honorary AFA members wishing to participate in an “AFA Sanctioned Training Day” will be required to read this policy and sign an AFA honorary membership form stating that they;

- 1) Have read the policy,
- 2) Will abide by this policy,
- 3) Will take instruction and directions from AFA organising members & AFA officials,
- 4) Will up-hold the objectives, rules and policies of the AFA and affiliated Clubs, to promote the sport of Flyball, its training and exhibiting of dogs, in a positive, informative, safe and entertaining manner.

Insurance:

The AFA member/s organising and attending the Training Day must submit an email or correspondence to the AFA Secretary, stating the date, times, format and location of the Training Day with enough time for the AFA to approve & notify the organiser of the sanctioning before the Training Day takes place. AFA sanctioning of a training day allows for honorary members to train dogs in Flyball techniques under the direction of an AFA member who is a Flyball instructor. A copy of the details of the Training Day should be forwarded to the Webmaster for inclusion on the AFA calendar on the web. Only AFA members and honorary AFA members are covered by AFA insurance. Only AFA members can be organising person/s and Flyball trainers on the day.

Unsanctioned training days are not covered by this policy document or AFA Insurance. The AFA advises organisers of unsanctioned training days to arrange an appropriate level of insurance coverage.

Format:

The format of the AFA Sanctioned Training Day shall be to minimise the chance of any aggressive gesture or incident. Format details or training techniques are to be submitted to the AFA with the

request for sanctioning if available as this may assist the AFA with the sanctioning process.

Training Day Policy Statement:

- Honorary members can train their dog at AFA Sanctioned Training Days.
- Honorary members do not get issued with an AFA CRN (Competition Racing Number).
- Dogs without an AFA CRN will not race against individuals or as a team.
- Honorary members must be attached to their dogs on lead when not training under the close supervision of a Flyball instructor.
- No Handlers are to run over jumps or walk backwards over Flyball jumps or hurdles.
- Handlers are responsible for ensuring that their dog does not approach any other dog without permission.
- Organisers should reinforce the need to maintain a safe distance between dogs on or off lead.
- Training days must have a head instructor who understands how to minimise aggression.
- The training ground needs to be secure so that dogs can not escape from the training ground into dangerous environments.
- AFA Officials include the organiser/s, AFA committee members and AFA Judges can stop a handler or dog from taking any further part in the training day.
- Aggression or unacceptable behaviour at training days should not be tolerated.
- A dog or handler should be asked to leave politely after an aggressive incident or if it likely that further participation may cause aggression.
- Above all a friendly common sense approach should be taken towards all incidents at training days.
- Officials, handlers and dogs need to maintain standards that leave the public with glowing views of Flyball and promote Flyball in the community.
- Participants shall at all times be courteous and friendly. At no time should they show displeasure with a dog, exhibitor, trainee, AFA official, sponsor, host or spectator, in or out of the training area.
- Demonstration rules & policies will apply for dogs with valid CRN's that choose to demonstrate racing at sanctioned training days.

Clarification of new EJS Levy.

The new EJS levy was set in the new AFA Rules and Policies and is now \$15.00 per team. This new levy does not apply to Competitions already sanctioned. It applies to competitions sanctioned after the 5th September 2005. The following competitions were sanctioned after the above date and will be required to pay the \$15.00 EJS levy.

RACV Australia Day 26th Jan 2006
Australia Day, Canberra 26th Jan 2006
Berwick Dog Obe. Club 12th Feb 2006
The Running of the Balls, Orange 19th March 2006
Gundaroo Race Day 9th April 2006

Sanctioned Permit applications:

Competition organisers please remember to complete your sanctioned permit application forms correctly before sending it to the AFA for approval. This includes listing the judges who will be adjudicating at the competition and any special requirements. Please also remember to get your details to the AFA webmaster for inclusion on the AFA website as soon as possible and try to include a flyer which can be put in the next AFA newsletter to advertise your competition.

If possible remember to include your ring size in the information being sent for inclusion on the AFA website.

Before hosting an AFA sanctioned competition please read Chapter 1 from the AFA Rules and Policies on the correct process for hosting an AFA sanctioned Competition.

Please remember to send your information to the AFA webmaster. At present there are several competitions listed on the website but no one has sent in details such as entry forms. This is a requirement in the AFA Rules and Policies. We cannot comply with this rule if competition organisers are not forwarding the information to our webmaster.

Also please forward your competition results to the webmaster as soon as possible after the competition. At present there are a few competitions that have been and gone but we have not received any results to list on the Webpage.

Members Information

Choosing the Correct Seed Time.

Section 1.4 - Seed Times and Break Out Penalties

- (a) All teams are required to provide a seed time on entry forms.'
- (b) Break Out time will be one (1) second faster than the fastest seedtime for each division (except Division I). When manual judging is used (in the absence or failure of the Electronic Judging System), the Break Out time will be two (2) seconds faster than the fastest seedtime for each division (except Division 1).
- (c) Penalty for first and second break out for the same team in a competition will result in forfeit of each heat in question.
- (d) Should a team break out three (3) times in a single competition, the penalty will be exclusion from placing in their division for the competition.
- (e) In any case, teams are entitled to all title points earned by their dogs in all heats.

Due to the current EJS problems the AFA has increased the breakout times for the EJS to 2 seconds the same as the manual timing breakout. As the EJS consoles are repaired the Regional Representatives will be informed and the breakout times will revert to the normal 1 second breakout for the EJS's as per the AFA rules and policies.

It is important that teams select their seed times for competition entry correctly. Below is an explanation of the correct process for this.

In simple terms a teams seedtime = the fastest time possible for that team in competition.

How to calculate your team seed times:

For a new team add the individual best times of the fastest four dogs then add time lost for passing eg; if your four dogs best times add up to 22 seconds but the best time achieved in training is 25 seconds then you are losing three seconds because of late passing, from experience teams usually perform faster a competition than training due to the dogs being more excited. For this contingency we deduct one second from our calculated best time.

Therefore:

Fastest 4 dogs best individual times = 22.00 secs

Best time achieved in training = 25.00 secs

Minus one second for competition = -1.00 sec

Seed time for first competition = 24.00 secs

Existing teams seed times.

Maintain records of individual dogs best times and team best times at competitions. Your team's seed time will be the team's best time run at a previous competition.

The competition organisers will determine the make up of each division based on the seed times provided to them on your teams entry form. Divisions would be determined by the largest gap in times in order to provide competitive groups of teams in each division.

Example;

Team 1 18.47

Team 2 19.00

Team 3 20.70

1.3 Second break

Team 4 22.00

Team 5 22.50

Team 6 22.80

0.7 Second break

Team 7 23.50

Team 8 24.00

Team 9 24.30

Team 10 24.50

Team 11 24.50

Team 12 25.00

Team 13 25.00

1 Second break

Team 14 26.00

Team 15 28.50

Team 16 30.00

Divisions are based on seed times not number of teams for each division. In the example above division 3 has 7 teams while divisions 1, 2 and 4 have 3 teams.

As per the AFA Rules and Policies all splits of divisions, formats and schedules of competitions must be approved by the AFA before the competition.

Section 1.1 Requirements

(c) All seeding and placing of teams in divisions is to be approved by the AFA.

(i) If it is necessary to run any division of less than 4 teams, it is recommended that this division be combined with an adjacent division. Division placements and break-out times for each individual division still apply.

(ii) The AFA shall receive seeding and competition formats from the Competition Organiser no later than 7 days before the competition.

Section 1.3 -Format & Schedule

The competition format & schedule shall be approved by the AFA. The competition format includes:

(i) Teams in each division along with the seed time of each team and the breakout time assigned to that division.

(ii) Format of the competition, i.e., Round Robin with or without Single/Double elimination, and whether the two rounds are added together or not.

(iii) Scoring – how wins and placings are determined; and how tie scores would be broken.

The host club shall make available the race schedule (running order) on the AFA website.

New Policy – Minimum Age for Handlers (replaces the existing policy)

“That junior participants (handlers, box loaders, ball shaggers) be allowed to participate in AFA competitions and demonstrations provided they are under the supervision of an AFA member who is their parent or guardian.”

New – Fouling in the Ring

The current AFA policy about fouling in the ring as listed on the AFA Webpage has become surplus, as the new **section 9.2** in the AFA Rules and Policies covers this policy.

(f) Fouling: *(If a dog relieves itself in the ring the team forfeits the heat.)*

If a dog relieves itself in the racing ring at any time prior to the first heat or between heats, the dog's team forfeits the next heat.

New Policy– Title Pins awarded

That any dog currently racing, who has not attained either 5,000 or 10,000 points by the end of 2005 but whose total point score is within 5% of gaining that amount of points, be awarded the current pin for 5,000 or 10,000 points when they do attain enough points for the title of FM or FMX in the first quarter of the new year ie: 1st January 2006 to 31st of March 2006.

A dog has 9730 points as at the 11th September 2005. he will not get to his 10,000 points before the 1st January 2006. The dog should get to the FMX (old 10,000 – new 700 points) under the new points system at the next competition so the handler can apply for both the new title pin (FMX) and the old one.

Fencing of Crating Areas

The Committee has is a recommended to clubs that when hosting a competition fence off safe areas for crating of dogs.

2006 Australian National Flyball Championships

Congratulations to The Croydon Rockets Flyball Club for winning the right to host the 2006 Australian National Flyball Championships.

The 2006 Australian National Flyball Championships will be held at the Ringwood Highland Games, 4th and 5th March 2006.

AFA Payments

All payments must be posted to the AFA Secretary or to the AFA Mail box. No AFA Committee Member or general AFA Member can accept money on behalf of the AFA.

The Australian Flyball Association
PO Box 4054
Raceview Qld 4305

Timekeepers and Judges Reminder:

Please remember when recording times on timesheets times must be recorded to the 1000th of a second NOT 100th of a second.

Example:

21.598 – is the correct way to record a time.

21.59 – is not correct and not satisfactory for AFA records. All EJS's will show the 1000th of a second time, even if the last decimal is 0 it must be recorded.

Judges please check that all timekeepers know the correct way to record times on timesheets prior to the competition commencing. (Also before judging at any competitions in January you will need to review how to fill out the new timesheets correctly on the AFA website. This information will be posted to the website in December and it will be your responsibility to inform timekeepers at all competitions after the 1st January 2006 on the correct procedure for the timesheets).

Section 9.2

o) Winner: Determining the winner of a heat

(i) When a heat is judged using the Electronic Judging System, the winner of close heats shall be determined based on the Electronic Judging System times. When the times are within .003 of a second (for example, a time of 21.798 versus 21.801) the Judge shall declare the race to be a tie;

Membership Cards:

Members please note that the AFA no longer provides membership cards to its members. You will receive in the post an A4 sheet with your membership information on it, including any Associate Members listed on your membership. There is now too much information required to be able to put it on a tiny card. We are still getting emails from members wanting their membership cards. Please check your information carefully when you receive it. It is possible for this Member's Information form to be emailed to members instead of posted, which will save time and postage for the AFA.

AFA DATABASE:

As of the first Tuesday in December the AFA database will be shut down over the Christmas Period. We will not be able to process any new memberships in this time. During this period our database will be getting transformed to the AFA website with login's for every member so they can update their own details and view their relevant

information and print their own membership information sheets, as well as competition organisers being able to upload competition information. We are hoping that this will only be for a period of 2 weeks if all goes well. If we do have technical difficulties then the database may be shut down through the first part of January 2006. If you require memberships to be processed PLEASE get them in early.

Flyball Oz Email List

Please note that this list is not run by the AFA and is a private email list that allows flyball oz chat list members to discuss flyball issues. Please do not use this as a way to communicate with the AFA or to pass on messages for the AFA webmaster. Not all members are participants of this list and the AFA has no obligation to collect information from this list. It is just as easy for you to go to our website and get the contact email for your regional representative or webmaster and email them directly.

Borrowed Equipment

When you are borrowing equipment and other articles from anyone for flyball events please remember to look after it with the utmost care and respect that it deserves. If it is not yours then please do not damage or change it in any way. As the next time you wish to borrow that equipment the person that owns it may decide not to lend it again.

New – Title Points Rule to commence on 1st January 2006.

As of the 1st of January 2006 the new title points system will commence. It will then become the competition organiser responsibility to calculate the competitor's title points for the competition. It will become more important than ever for handler's to check their CRN's and other information on their timesheets when at a competition. If they discover at a later date that their CRN's were listed incorrectly they will need to take this query up with the competition organiser.

The AFA will post the new timesheets to the AFA website in December so that the competition organisers will be able to access them as soon as possible. Further news and instruction on this will be posted on the AFA website in December.

Section 11.1 Points – New Title Points System – Transition to new Points System to take place on the 1st January 2006.

Teams racing in an AFA sanctioned competition will receive 1 point towards their flyball title for each dog racing in that heat when all four dogs complete the heat correctly without requiring any reruns. If that team wins the heat each dog running will receive another 1 point towards their Flyball title.

For title points to be awarded, an AFA Judge or representative must be present and at least four (4) teams must compete. All four teams may be from the same club provided each team registered with the AFA was given an equal opportunity to enter but chose not to.

Section 11.2 Titles – under new Title Points system

- (a) AFA will award a certificate of achievement and title “Flyball Dog” (FD) to any dog receiving 5 points.
- (b) AFA will award a certificate of achievement and title “Flyball Dog Excellent” (FDX) to any dog receiving 20 points.
- (c) AFA will award a certificate of achievement and title “Flyball Dog Champion” (FDCh) to any dog receiving 50 points.
- (d) AFA will award a certificate of achievement and title “Australian Flyball Champion” (AFCh) to any dog receiving 150 points.
- (e) AFA will award a “Flyball Master” (FM) Pin for any dog receiving 400 points.
- (f) AFA will award a “Flyball Master Excellent” (FMX) Pin for any dog receiving 700 points.
- (g) AFA will award a “Flyball Master Champion” (FMCh) Pin for any dog receiving 1000 points.
- (h) AFA will award the “Onyx” Plaque, named after its first recipient, for any dog receiving 1300 points.
- (i) AFA will award a “Flyball Dog Grand Champion” (FDGCh) Plaque for any dog receiving 2000 points.

Judges Note:

Please remember to get your Judges reports in on time. You have 48 hours from the end of the competition to have your reports into the AFA. You are required to send them to the AFA secretary within 48 hours. Please record every incident on a

separate report form. Please do not put 2 or 3 incidents from the same dog on one report form. This is not fair to the other members racing in a competition. Please write down where the incident occurred ie; racing lane, inbound area or outbound area. Please put a description down of what the dog did. Ie; crossed the line to sniff a bum, get the ball from the other box or just that the dog forgot what it was doing. Please remember to write the dogs CRN down at the time and what race number, heat number and division the incident occurred in. Don't forget the handlers name. All these things help with the AFA keeping stats in the database.

If members have questions about the AFA please direct all questions firstly to your Regional Representative. Any written questions can be sent to the PO Box. All contact details are listed at the back of the newsletter.

Turbo Style

Turbo from the K9 Krusaders has achieved 15000 the 1st dog in NSW. Turbo has been racing in Flyball for 5 years, Starting his Flyball Career with the Queanbeyan Bush Ranger's. Then after 2 years Continued his career with the K9 Krusaders.



The Achievement happened at the Irish Wool Festival on the 3rd of October in Boorowa which was also Turbo's 6th Birthday.

The Krusaders are thrilled as it is exactly 12 months previous Turbo went down with Rat Poison with a 50/50 PERCENT CHANCE OF SURVIVAL I would like to thank Debra McKay from North West (Pudges' Mum) who with out her quick actions to save Turbo's life on that day 12 months previous Turbo and his team would not have seen him achieve this great feat.

Verdelle Williams -
Go the Hot Pink and Black K9 Krusaders!

Regional Reports

ACT Regional Report

If you or your club in the **Act region** would like to **contribute to the Flying Times, please** send the information my way (act@flyball.org.au). If you send me pictures I will compress them to 150 k or less ready for publishing in the Flying times. Please share your amusing Flyball stories and a summary of what happened at competitions.

I would also like to encourage clubs to get their future competition up on the AFA web site as "sanction pending" so that we can minimise clashes and plan our travel. If you have set a date let the webmaster know (webmaster@flyball.org.au) as soon as possible. The form to sanction the competition can go in at a later date. If clubs are doing demos they can go on the AFA web site as "AFA sanctioned demonstrations" or "club demonstrations". For information on the differences between the types of demonstrations see the AFA web site.

The AFA has a new "training day" policy. I recommend you have a read as I think this new policy will allow us to market our sport better in the future. I would be interested to hear from anybody who makes use of the new training day policy to know if it works in practice.

Best Friends Flyball Retreat in Tarra Valley Sat 1-Oct-05. The word was out and the locals were in a flap.



The loud and fast Flyball dogs were in Tarra Valley near Yarram for a fun social weekend & fancy dress event. The X Factor Waggles (Wiggles) dressed in dog masks, tails & coloured shirts battled it out in a combined 2 & 3 division.

No dogs were confused by the extra human tails wagging in the ring and they all managed to find their motivators on the return runs. X Factor even had a Dorothy the dinosaur in the Waggles team (yellow spots). Some of the boys in the other teams appeared to be a little too comfortable in their skirts & makeup. Rocket packs were the secret weapon used by one team to get that little extra speed. No dogs were launched into space on motivators without a safe landing. The spit roast dinner on the Saturday night was an excellent social event. For teams travelling large distances the competition was a little short on heats. I recommend an earlier start, less breaks and 90 sec changeovers so we can pack more heats into what was a great getaway long weekend. An alternative option to get more racing would be to extend the Saturday competition into the Sunday morning for 2006.



On the same week end as the Tarra Valley competition, (2-Oct) there was the **Irish Flyball Fling at Boorowa**. Seven Flyball teams raced in one division at a fun competition with a break in the middle of the day to walk the main street as part of the parade. The pictures on the web site show the teams having a great time in Boorowa. Hopefully next year we can avoid a clash with the Tarra Valley competition so more teams can enjoy Boorowa hospitality.

The annual **“Flyball Frolic”** was on at the **Hall Markets** this year on Sun **6-Nov-2005**. Hall is a small village on the Northern outskirts of Canberra. The Hall Markets is one of the best in our region and attracted numbers of spectators on the day getting in early for Xmas shopping. The 140 by 40 foot surface was a country oval used for polo with a

few bumps and rough grass. 16 teams in four divisions battled in out over 53 races of 3 heats. The day was hot and sunny so the dogs and handlers appreciated the shorter 3 heat races. For information on the markets go to <http://www.hartley.kaz-group.com> then go to “Hall Markets” in the list. Norwest Thunderdogs 1 took home the gold Flyball Frolic trophy and gets to keep it till next year. It was excellent to see 2 new teams from the Albury Wodonga region doing so well considering they train with only one box.

The **“Bark in the Park”** on Australia Day 2006 (Thur 26-Jan) is on again in 2006 in Commonwealth Park near Stage 88. Last year there was a large crowd circulating through all day as we raced on lush, soft, well maintained grass on the Floriade site. We are hoping that the 2006 Bark in the Park will be in the same place as 2005 so teams can rest up in the shade between races. There should be plenty of space for a 150 * 40 foot ring.

If teams are looking for a free location map to put on the web check out Google Earth on the web for satellite imagery. Travel directions can be found on www.whereis.com.au. The estimated travel times are inflated but the distances are usually close.

Merry Christmas for everybody in the Act region to all the other states and we are look forward to more close racing in 2006.

Steve Smith - ACT Regional Representative

NSW Regional Report

Most of you would be aware that Trent Shepherd resigned from the State Rep position last month due to his move to the ACT. Congratulations Trent and Kylie on your “sea change” (inland) and we’re glad to hear that you will still be heavily involved in flyball. Thank you Trent for the hard work you have put into flyball, which includes organising 3 competitions in NSW this year.

I wish to extend a warm welcome to Vicki Clever from the South Coast Dog Training Club, as our new NSW Regional Rep - Congratulations on being appointed to this vital role. I’ve been filling the Regional Rep post during October and WOW, what a busy month it has been for NSW. With the aim to spread the load of the AFA Committee we have recently changed the line of communication.

Members are now asked to direct their correspondence directly to their State Representative and I received over 60 emails! In the past the AFA Secretary has received up to 300 emails (nationally) in one month.

October has been a quiet month in NSW as far as competitions, although some New South Welshies attended the Croydon Yarram (smell the serenity), CDC Frolic –Hall Comps and the Boorowa Comp which were very professionally run ☺. October has been crammed with demonstrations in NSW including Westfield Tuggerah Demo, Central Coast Pet Expo at Wyong, Holroyd Pet Fest at Merrylands, Assistance Dogs Australia - Dogs Breakfast event held at Sydney Park, "The Great Big Animal Open Day" at North Ryde, Warringah Dogs' Day Out at Belrose, the Richmond Greyhounds 50th Anniversary and Sydney Pet Expo at Rosehill. Write-ups on some of these events are listed below.



Sydney Pet Expo Venue

Westfield Tuggerah was hosted by the Surf Stormers for a static display inside the complex, where a huge Saturday crowd visited the display and although no racing on the day they were still able to generate quite a lot of interest by having the Stormer Dogs meet and greet the crowd. The Stormer's Face Painting team were on hand and specialised in painting dog faces on kids. A picture board of recent events and the "Live and Let Fly" video were well attended.

The **Surf Stormers** also attended the inaugural Central Coast Pet Expo at Wyong Racecourse organised by the Pioneer Dog Training Club. John Baxter reports - "The event was a great success and we have already been invited back next year. We also had the added feature of putting on a sheep

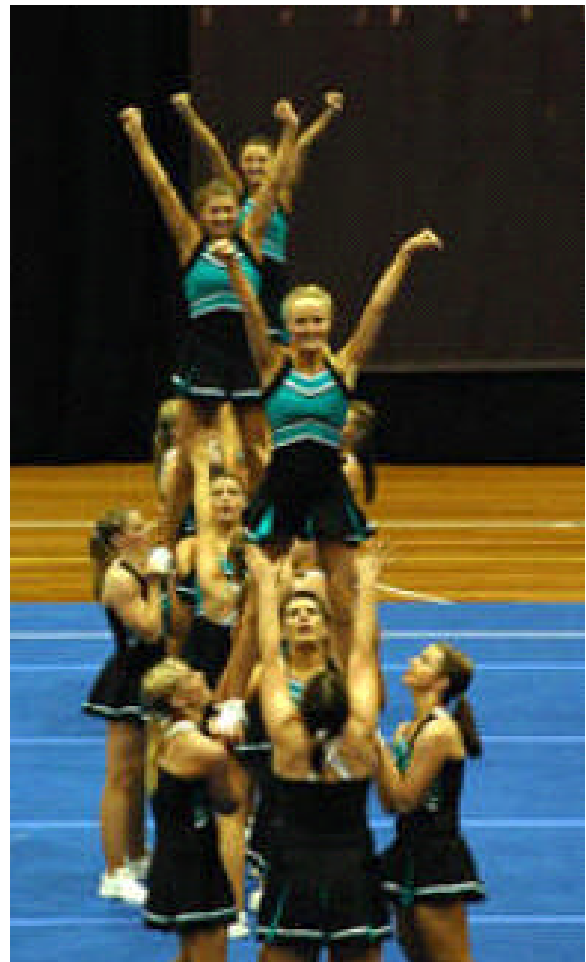
herding display where young "Jet" the Aussie kelpie showed his progress by manipulating the 3 sheep in



the flyball ring."

Surf Stormers Face Painting

Starlets All Stars Cheerleading team



This month the Surf Stormers are hosting a demo at The St.Ives High School Twilight Fair Saturday 19th November, Yarrabung Road St.Ives from 3pm to 8pm, all AFA members are invited to attend for an evenings racing which promises to be a fun event.

We are being joined by our cheerleading team, *The Starlets All Stars Cheerleading team* who have aligned to our team and certainly will add some spark to our demos, they are very skilled athletes and their displays will be a treat to watch for the crowd.

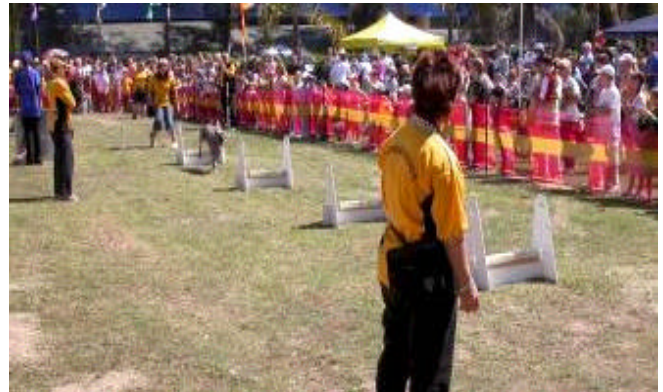
Richmond Greyhounds 50th Anniversary



The **St George Club** enjoyed their first time in organising an event at the Assistance Dogs Australia flyball demonstration at the Dogs Breakfast event held at Sydney Park on Sunday, 23 October 2005. Jo Drake reported – “it was our first time organising an event so we were not quite sure of what we were letting ourselves in for. It really hit home when we sat down to plan the day. After having some concerns about fencing off the flyball area from the crowd and their dogs, we decided to seek help from the Parramatta club. The Parramatta Club was like the cavalry arriving!!! Within no time we not only had the fencing delivered to us and some kind words of instruction but we also had a few hearty Parramatta flyballers willing to come down on the day. As it turned out, we had enough dogs to form three mixed teams and have an elimination type competition. Our beginner dogs also gave a wonderful demonstration between races. Judging by the numbers of people watching the demo, we're sure it was the highlight of the day. Sitting in the shade afterwards recovering from the heat, one of the Parramatta people was heard to say that we only do this for the dogs, which sums up the attitude of all that participated. Thanks again Parramatta for your great support.”

"The Great Big Animal Open Day" Flyball Demo at North Ryde Vet was a huge success in promoting flyball to crowds of people. At one stage over 1,000 people were watching with rows of up to four people thick. There was not one elephant to be seen,

but nobody cared when there was flyball to watch. Thanks to the Surf Stormers, Leaps and Bounds and the Norwest Thunderdogs for their efforts in making the day so much fun. A special thank you is extended to all the handlers, boxloaders and helpers too. Brian Lindsay did a sterling job spruiking and keeping the crowd so well informed. This event was significant to the Norwest Thunderdogs, as it has helped them to celebrate their first anniversary as a club.



Great Big Animal Open Day Flyball Demo



Australian Flyball Association Stand at Sydney Pet Expo

I would like to extend a huge thank you to all of the people who have contributed to making the Sydney Pet Expo a huge success. To our sponsors Value Plus for funding the expo stall site, providing t-shirts and prize show bags. The collaborative approach to running the biggest flyball demo in Australia is to be commended. Special thanks to Trent Shepherd, Brian Lindsay, Leoney Pritchard, Les Scott, Gloria Boon, Alyssa Ablitt and Joanne Drake who have all banded together to help manage the Sydney Pet Expo Flyball Demo. The teamwork involved just goes to show how friendly and committed all of our members are to promoting the sport of flyball. Special thanks also to Sue Town from Pinnacle Photos for allowing the use of her flyball photos, Philip Andrew from Wave Audio and

Visual for the use TV/video equipment and Joan Johnston for kindly allowing the use of her EJS timing gear.



Joanne, Les and Fiona helping out at the Sydney Pet Expo
“Thorny between the red roses”

Please be aware of the interim 2-second breakout rule. This rule has temporarily changed due to the inaccuracies found in the timing lights. The AFA is committed to the growth and development of our sport and are working towards fixing the problem. We'll keep you posted, more on EJS soon!

Congratulations to Croydon Victoria for their successful submission to host the 2006 National titles in conjunction with the Ringwood Games on 4th and 5th March 2006. Please book your accommodation ASAP to avoid disappointment. Emma Le Cras has listed recommended accommodation for this event. Some Queenslanders and New South Welshies have had a "BRIAN WAVE" and are planning a road trip incorporating the 2 day Canberra Royal, rest up mid week at Yarram and then the 2 day Ringwood Nationals.

Glenn Pritchard - Interim NSW Rep & AFA V.P.

Queensland Regional Report

Since the last newsletter, Queensland has hosted two competitions – Dogtoberfest on 9th October – The Annual Night at the Races 2005 on 12th November. Both these competitions were very successful with all participants enjoying themselves and also enjoying good racing by their dogs. Once again, lots of thanks to our major sponsor – Advance – who has been supporting Flyball in Queensland since we started holding competitions in 2001.

Flyballers also helped at demonstrations at Redcliffe Pet Expo at which Flyball was a major draw card. Our ring was a little short so we actually set up diagonally to give us a bit more runoff. The day was held at Kroll Gardens which is a very large off-leash park near the waters of Moreton Bay. Other sports included agility, a number of obedience demonstrations, gundog retrieving, K9 Frisbee, k9 Freestyle to Music, and talks from lots of different groups – mostly doggie activities. The day was very hot and all the demonstrations were held in full sun but the dogs performed extremely well in the heat with lots of small pools available for them to cool off in. There was great interest from the general public who could bring their dogs if they kept them on lead. Redcliffe Council was thrilled with the results and I am sure it will be bigger and better in 2006.

Other demonstrations to take place included Logan Animal Shelter demo, and some Club demonstrations to show off our sport to the public.

We have now held our last competition for 2005 as the weather is too hot in Brisbane over the summer period. I have heard that a couple of the Clubs are sending teams down to the Canberra Royal Show and the Nationals 2006 to be held at Ringwood, Victoria. Good luck to all these people/dogs.

We also have a number of new groups training and we hope will have competition teams in 2006 so we are looking forward to increasing our Flyball population and also to enticing more of the southern teams to come to the Sunshine State to partake of our 'Beautiful One Day, Perfect the Next'.

The Homeless Hounds had late scratchings for Dogtoberfest but managed to pull it together on the day with one handler running both Czar and Blade. It was a juggling act running Blade the smiling staffie 1st, followed by Rosie having another not-so-blonde day, Zac give-me-space and Czar make-my-day the German Shepherd. Same order each time made for ease of jump height modification and numbers. Czar was wound up with a quick game of tug prior to each run, then pointed in the right direction, and ran like a champion! The dogs were brilliant! until the very last race when the wheels fell off and Rosie retired for the day, and who can blame her after so many runs in such good form! Czar won man-o-the-match, oops! wrong sport, I

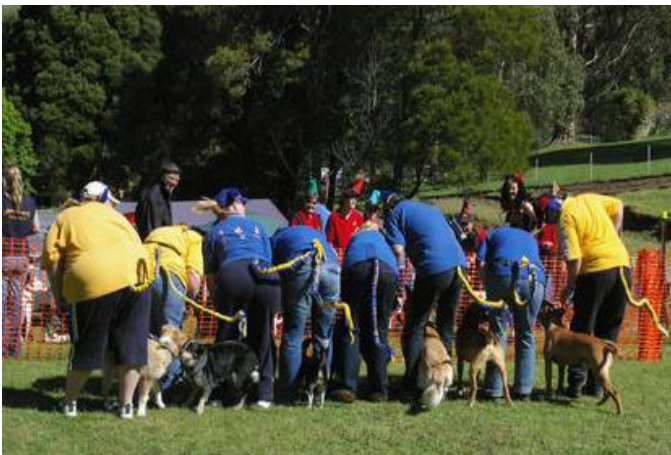
mean most improved dog. With a best time of 25.5 seconds, each dog took home some points, and 2nd place overall for the very first hit-out in Category 2. Those southerners (Road Runners) raided us successfully again taking out 1st place, with their famous bowing dog rubbing it in.

Julie Ivison - Queensland Regional Representative

South Australia Regional Report

South Australia have only been up to one thing of late... The Best Friends Flyball Retreat, so instead of me boring you with my dribble, I thought you might like to here what the SA members thought of the fantastic weekend hosted by Croydon at Best Friends Holiday Retreat.

“Even though the trip was long it was definitely worth the travel. On arrival Ralph & Coralie were very warm and friendly even though the weather wasn’t. After setting up camp, we had dinner in the camp kitchen and then got an early night, ready for the big day ahead. On Saturday the dogs were rearing to go. Everyone seemed to get into the fashion parade and we thoroughly enjoyed the day. Looking forward to going back next year” Christina & Cassie.



“The long 14 hour drive was tiring but worth it. The competition was fun and we enjoyed the dress up fashion parade as well as the whole concept of the social weekend that it was meant be. Hope you have another competition there next year as we have already booked accommodation.” Rebekah & Jade.

“On arrival we found Ralph & Coralie to be very warm & friendly. The competition on the Saturday was fun and friendly, and we wish to Congratulate

Croydon on a well organized social weekend that included a trivia treasure hunt, a fashion parade, a Spit Roast Dinner on the Saturday night and an excellent competition. We have already booked accommodation for next year.” Wayne, Catherine, Miishka & Holly.

“I would love to go back just for a holiday with the dogs. The surroundings were beautiful and we really felt welcome with our dogs. Scrappy had a ball. We will definitely be back next year.” Rachael & Scrappy.

“The whole weekend was Fantastic. It is a fantastic place to go just for a holiday with the dogs as the facilities were great. It was a good fun and social competition and fun was had by all. We look forward to going back next year.” Wayne, Ronnie, Raz & CeCe



“Excellent!! It is a great place for dogs & people to have fun. The Spit Roast was tasty. Croydon held a great social competition, it was good to meet and make new friends from interstate. Next year here we come!” Danielle, Ken, Copper & Riddick

I Wish everyone a safe and Happy Christmas and a Fantastic New Year. May everyone travel safe and remember not to over feed your “best friend”.

See you all in the New Year.
Catherine Saberton - SA State Rep

Victorian Regional Report

Things have started to move here in Victoria with the start of the racing season and the last two months have simply flown by.

BEST FRIENDS FLYBALL RETREAT

Firstly, "Best Friends Flyball Retreat" was hosted by Croydon Rockets on 1 October 2005. The majority of competitors arrived on Friday (some during the week before) for a social weekend with a bit of flyball thrown in for good measure. It was great to have teams make the trip to Yarram from South Australia (Para Districts), the ACT (Canberra X-Factor) and also New South Wales (Norwest Thunderdogs). We booked out all of the cabins and available caravan/tent sites at Best Friend Holiday Retreat and spilled over into Tarra Valley Tourist Park only 2km up the road and also into Yarram. After a bit of rain on Friday afternoon, Saturday turned out to be a great day for racing. The idea of this weekend was to have a social competition with time to relax and spend time with friends, both 2 and 4 legged. Lunchtime saw a break in racing for the novelty fancy dress competitions, with prizes being taken out as follows:

- Best Dressed – Croydon Rocket Blasters (Rock 'n' Roll)
- Worst Dressed – Ballarat Eureka Gold Diggers (3P's – Pimps, Prostitutes and Puppies!!!)
- Best Coordinated Dogs/Handlers – Norwest Thunderdogs
- Best Themed Team – Ballarat Eureka (The Jockeys)

There was also a trivia quiz with the aim being to find out interesting facts about the handlers or dogs that were competing on the weekend. The winner was Bill Reynolds from Ballarat Eureka who was drawn from the people who answered the most correct answers.

Saturday night was a spit roast dinner with plenty of food for everyone. Next year I will remember to organise some lighting for under the marquee so that people can see what they are eating!!!!

Sunday was a day of relaxation with time to give the dogs a run in the off lead areas, head to the beach, wander around the local area of just sit back and do nothing. A few people even stayed an extra day and headed off home on Monday afternoon.

Big thanks must go to Ralph and Coralie for allowing us to use their great facilities for the weekend.

After the success of this year, the competition will be on again next year. Watch the website for details

of the dates and information on how to go about staking a claim on accommodation.

PET'S DAY OUT - FRANKSTON

Next on the racing schedule was "Pet's Day Out" in Frankston. This competition very nearly wasn't to be with a problem getting judges as all that were there landed up racing in the one division. The weather in the morning was also a bit dicey, but went on to be a great day with some fantastic racing. Well done Frankston Thunderbolts for organising a great competition.

EUROA FLYBALL EUPHORIA

Another great competition hosted by Croydon Rockets with 13 teams entered. It was great to see Border Liners (from Albury Wodonga) enter their first Victorian competition. The show organisers have advised that the space is ours for as long as we want to be a part of the show which is a real compliment. As a result of the success of Flyball at last year's show and our need for more space this year, the show has been extended to a two day show for the first time.

OTHER NEWS

Ballarat Eureka members have been assisting a new team to get going in Bendigo. It is hoped that they will have a team together in the near future.

Albury-Wodonga Flyball have two teams up and running – Border Liners and Border Patrol and are ideally situated for competitions in both NSW and Victoria.

Croydon Rockets have been very busy with demonstrations at school fairs, the Guide Dogs "Bringadogalong" Day and local council pet expos.

With the cancelling of the competition in Bendigo and problems getting the Geelong Show happening, members of Bellarine headed to Warrnambool to do a flyball workshop. There are quite a few promising dogs and the obedience club does have equipment, but needed some help with how to go about training the dogs. The local paper even came and did a story for the local newspaper.

Eric van Zuyden and I are working closely with Lee & Angie Heighton to come to Australia to run a series of flyball seminars in 2006. Lee and Angie are members of Springloaded who are the current world record holders and are renowned for running some fantastic seminars. Keep watching for more

information as it comes to hand as this is something not to be missed as a very limited opportunity to gain knowledge from some of the world's best.

So, that brings me to the end of another report. May I take this opportunity to wish you all a Merry Christmas and a Happy New Year and look after your four legged friends over the festive season.

Emma Le Cras - Victorian Regional Representative

A Message from Tasmania

Hi, we are the flyball addicts in Tasmania. We are still trying hard to get flyball more popular here. Our team here in Hobart (about 10 good running dogs) and a small team up at Launceston are it at the moment. We are now on a promotional blitz after getting lots of encouragement from our Obedience club and a couple of Canine Council members. Our Obedience club Hobart Canine Obedience Club is the only one here at present to acknowledge and add flyball into their curriculum for training so we are now going to have to work on a few other clubs and groups. Hopefully our demos at the Hobart Royal and the big Dogs on the Domain day in November will bring a bit more interest. So PLEASE guys out there on the Mainland, we flyballers need all the encouragement and help you can offer.

Meanwhile!!! We continue to have great fun with our dogs at a social level. We have lots of good laughs and our two younger dogs Annie – min poodle and Zee – Westie although a bit naughty have everyone rolling around laughing with their antics. Actually they are very good flyballers but get a bit carried away with the excitement of it all. But that's what flyball is about – having fun.

We will keep in touch but would love to hear from any of you . The team up in Launceston is called "Four Muddy Paws" and our team here in Hobart is called "Tassie Flying Paws. We have just organised and received our logo badges and the Shirts should be ready next week. Will try and send a picture at a later date.

Keep Flying. Dot and Derek Baverstock - TASSIE FLYING PAWS.

Competition Results

If your competition results are not listed here please contact the competition organiser and let them know they need to submit their results to the webmaster as soon as they can after their competition for inclusion on the AFA website and ultimately the AFA newsletter.

Best Friends Flyball Retreat - 1 Oct 2005

Division 1

- 1st - Ballarat Eureka - 19.68
- 2nd - Croydon Rocket Scientists - 20.48
- 3rd - Norwest Thunderdogs 1 - 20.61
- 4th - Croydon Rocket Secret Weapons - 20.14

Division 2

- 1st - Berwick Bladerunners - 21.30
- 2nd - Hastings Howlers Hit & Fly - 22.92
- 3rd - X-Factor Waggles - 23.65
- 4th - Frankston Thunderbolts Lightning - 22.50

Division 3

- 1st - Croydon Rocket Blasters - 22.73
- 2nd - Para Shooters - 23.46

Division 4

- 1st - T'Keilor Shots - 25.32
- 2nd - Berwick Blitz - 25.43
- 3rd - Ballarat Eureka Gold Diggers - 25.35
- 4th - Croydon Rocket Space Cadets - 25.15

Novelty Events

- Trivia Hunt - Bill Reynolds (Ballarat)
- Best Dressed - Croydon Rocket Blasters (Rock 'n' Roll)
- Worst Dressed - Ballarat Eureka Gold Diggers (The 3 P's) - Pimp, Pros and Puppies
- Best Coordinated Dogs/Handlers - Norwest Thunderdogs
- Best Themed - Ballarat Eureka (The Jockeys)

The Irish Flyball Fling – Boorowa -2 Oct 2005

Open Division:

- 1st - Pandemonium - 18.906
- 2nd - Belconnen Bucaneers - 24.693
- 3rd - St George Dagon Slayers - 22.63
- 4th - Frequent Flyers - 21.35
- 5th - K9 Crusaders - 22.898
- 6th - Albury Boarderliners - 23.10
- 7th - Canberra X-Factor 4 - 23.23

Canberra Flyball Frolic, 6 Nov 2005

Division 1:

- 1st - Norwest Thunderdogs 1 - 18.226
- 2nd - Canberra X-Factor 1 - 18.644
- 3rd - Canberra X-Factor 2 - 20.75

Division 2:

1st - Canberra X-Factor 3 - 21.816

2nd - Norwest Thunderdogs 2 - 22.564

3rd - K9 Krusaders - 21.494

No placing Parramatta - 18.634 (5 Breakouts)

Division 3:

1st - Qbyn Hoon Squad - 22.228

2nd - Belconnen Bullets - 23.009

3rd - Canberra X-Factor 4 - 22.826

4th - Norwest Thunderdogs 3 - 24.582

Division 4:

1st - Leaps & Bounds Roadrunner - 24.218

2nd - Canberra X-Factor 5 - 25.697

3rd - Canberra X-Factor 6 - 36.912

4th - Border Liners - 26.644

5th - Border Patrol - 30.453

	Flyball Championships	
9 April 2006	Gundaroo Races (<i>sanction pending</i>)	NSW
19 Mar 2006	Barking Mad, Orange	NSW
26 Mar 2006	Castle Hill Show(<i>sanction pending</i>)	NSW
2 Sep 2006	Kioloa Surf 'n Turf (<i>sanction pending</i>)	NSW
10 Sep 2006	PAWS in the PARK (<i>sanction pending</i>)	NSW
17 Sep 2006	Holroyd PetFest	NSW

Calendar of Events

Competition Organisers, please check the calendar of events of the AFA website to see if your details are listed. There are a number of events listed that do not have any information listed. I am sure there are teams that would love to enter your competitions if only there was an entry form.

AFA Sanctioned Competitions

Date	Competition	State
27 Nov 2005	Pet & Pony Expo, Rosebud	Vic
3 Dec 2005	Santa Ball, Victoria Park Ballarat	Vic
14 Jan 2006	Bass Coast Agricultural Show, Wonthaggi	Vic
26 Jan 2006	RACV Australia Day	Vic
26 Jan 2006	Australia Day, Canberra (<i>sanction pending</i>)	ACT
12 Feb 2006	Berwick Obe. Dog Club	Vic
25&26 Feb 2006	Canberra Royal	ACT
4 & 5 Mar 2006	Ringwood Highland Games - 2006 Australian National	Vic

Flyball Demonstrations

Date	Event	State	
3,4, & 5 Feb 2006	Melbourne Pet and Animal Expo	VIC	
18 Feb 2006	Willawong Animal Shelter, Brisbane	QLD	<u>AFA</u>
25 Feb 2006	Warra Animal Shelter, Brisbane	QLD	<u>AFA</u>
11,12, & 13 Mar 2006	Adelaide Pet and Animal Expo,	SA	
21 May 2006	Taree Million Paws Walk, Surf Stormers	NSW	<u>club</u>

Other Events

Date	Event	State
3 Dec 2005	Tuggerah Lakes Mardi Gras Festival Street Parade	NSW
11 Dec 2005	Fun Day - CDC Club Grounds, 3pm	ACT

Blast from the Past

Edition Number Twelve

AUSTRALIAN FLYBALL ASSOCIATION

"THE FLYING TIMES"

No 12 – 20 July 1998

DOG'S WHO HAVE ACHIEVED THEIR FLYBALL TITLES DURING 1997 / 98

BEN, the wonder dog, is owned by Geoff Ryan from the Queanbeyan Flyball Club. Ben is an 8 year old Border Collie and absolutely loves his flyball. Ben has been competing at flyball for about 4 ½ years (a veteran). Ben's total points to date are 979. Ben has earned his FD – FDX - FDCh certificates this year and was the first dog in Australia to get each one. Geoff proudly displays them on the wall. Well done Ben.

TEDDY is a very fine little Border Collie bitch, aged 2 years owned by Joan Ryan from the Queanbeyan Flyball Club. She has had a few very successful competitions with more to come. She has not yet come into top form but is just as fast and can be faster than Ben when she wants to be. Teddy's total points to date are 935. Teddy has earned her FD - FDX - FDCh certificates this year and Joan has them right next to Ben's on the wall. Go Teddy.

MONTY alias "Boofhead" to his mate's, is one of the finest Border Collie's God ever-put breath into. Monty is owned by Steve Pitt & Vicki Kennelly (we are still arguing over the true ownership) at 11 years old Monty is finally to be retired from his team the Hoon Squad from Queanbeyan Flyball. We haven't got a hope when it comes to slowing him down a little so he will not be competing during the winter and we will have to see how he goes during the warmer months. Arthritis and age have finally taken their hold. Monty's total point score to date is 914 and he has been competing in flyball and alongside Ben for 4 1/2 years. Monty has also earned his FD-FDX-FDCh certificates this year and these are a feature on our dining room wall. Monty already misses training every Saturday.

JEDDA is a German Shepherd X Heeler aged 2 years, owned by Ray Williams from Queanbeyan Flyball. She has had a marvellous year competing in flyball and has been doing it for 2 year. She is just starting to come into form and picking up the pace with Dad's help. Jedda's total point score to date is 585 and rising fast. Jedda has earned her FD – FDX – FDCh certificates this year and Ray is ecstatic about his baby girl's achievements.

Look for Ray and Jedda at the next competition and say Gid-day.

RINA is owned by Kelvin Drummond and is Black Labrador aged 8. Rina is an ex customs dog and is another one that can't be slowed down. Kelvin has put her into semi-retirement, but is willing to bring her back if the jumps are only eight inches. Rina has been doing flyball for 3 years and what a mover. Rina's total point score to date is 327. Rina has earned her FD- FDX certificates this year but as yet her Dad has not applied to the AFA for them. Come on Kelvin we know you love to show off. (Your baby girl).

CASEY is a German Coolie aged 3 years owned by Sharon Clark from the Eurobodalla Canine Club. Casey enjoys her flyball and loves coming along to competitions. Sharon doesn't know it yet but Casey has outdone herself and her point score to date is 256, congratulations Casey and Sharon. Casey has earned her FD and now her FDX. Sharon already has Casey's FD on the wall, now its Sharon's chance to add that FDX.

JORDAN is a very sleek and fit Australian Cattle Dog aged 3 years owned by Jenny Pheeneey from the Eurobodalla Canine Club. Jordan is crazy about anything that involves running around and playing with Jenny. He is one fast little dog and is just coming into his prime. Jordan's total points to date are 256 and he has earned his FD and FDX certificates this year. Jenny I'm sure Jordan would love to see them on the wall.

SISSY is a very sweet Border Collie aged 3 owned by Jennifer Moraga from the Eurobodalla Canine Club. Sissy is a dog to watch, every competition she gets faster and faster. Don't worry Jen, Sissy will win fastest dog one day, just have a bit of faith in her, she has the speed. Sissy's total point score to date is 256, she has earned her ED, and her FDX so come on Jen lets get those certificates on your wall.

KUTA is a very lovely Border Collie aged 5 years owned by Jackie Wassell. Kuta lives to please Jackie and if Jackie wants to do flyball that's okay by him. If Jackie is having, fun then so is Kuta. (Some people would kill to have a dog like that). Kuta's total point score to date is 246 and he has earned his FD and FDX certificates. Come on Jackie he loves you to bits. How about a certificate for Kuta?

TILLIE is a Kelpie X Collie aged 4, owned by Michelle Clark from the Eurobodalla Canine Club. This year Tillie attended one Flyball Competition and went home with an astounding 170 points. Tillie earned her FD and FDX title certificates in one competition. Well done Tillie and Michelle. Tillie is now waiting for Mum to put her certificates on the wall. Come on Mum.

SPLINTER is a X-breed similar looking to a Labrador aged 4 years owned by Linda Beer from the Keilor Obedience Dog Training Centre in Melbourne. This dog is totally built for racing and magic to watch. Splinter's total points for the year are 169, which has earned Splinter his FD and FDX title certificates. I'm pleased to see Linda took no time at all to get them and put them on the wall.

WYLIE is a Jack Russell aged 3 years owned by Ann Goode from the Keilor Obedience Dog Training Centre. Wylie is a neat little racing machine and is very important to the rest of his team, for getting the height of the jumps down to 10 inches. Wylie has a total of 147 points for the year. He has earned his FD certificate that Mum has on the wall, but now he's earned his FDX. Come on Ann why don't you show Goochie up while you've got the chance.

BENJAMIN FRANKLIN a Jack Russell X aged 2 owned by Nerida and Toni Winters from Queanbeyan Flyball. Nerida and Toni thank god every day that Ben is only a Jack Russell X. They'd never be able to hold him back at the start line if he was any bigger. From a little ball of fluff found on a cold rainy day lying in the gutter when he was about 5 weeks old, Ben has certainly come a long way. Ben's total point score to date is 212. Nerida and Toni already have his FD on the wall but now they know Ben has his enough points for his FDX, I'm sure they won't hesitate in getting that as well.

CUJO is a German Shepherd X Heeler aged 3 years owned by Verdelle Williams from Queanbeyan Flyball. Now Cujo has realised the ball he is after is all his and not the other dogs he has become a good flyball dog and has progressed to Queanbeyan's top team. He still occasionally has his moments, but he is full of fun. Cujo's total point score to date is 140. He has now earned his FD and FDX. Verdelle took no time at all to get those much-loved certificates home on the wall. Well done Cujo.

MUFFY is a Retriever X aged 3 owned by Hilary Gunn from Queanbeyan Flyball. Muffy has a talent for running in circles, not the best when running in a flyball competition. But over the last few months she has improved beyond sight and is now in the top team at Queanbeyan. Well done Muffy & Hilary. Muffy's total point score to date is 137. Muffy has earned her FD and FDX certificates but as yet they have not been claimed.

GUINNESS is a beautiful tricolour Border Collie with a spring in his step. Guinness is 5 years old and owned by Terry and June Hunter from the Keilor Obedience Dog Training Centre. Terry and June have just bought another little girl

to keep Guinness company at home. I hope the new addition will have as much fun at flyball as Guinness does. Guinness's total point score to date is 133. Guinness has earned his FD which Mum and Dad have got, but Guys have you forgotten about the FDX or are you just making poor old Guinea suffer.

BUNDABERG is a X Breed aged 3 years owned by Linda Beer from the Keilor Obedience Dog Training Centre. Bundaberg has finally managed to jump the big jumps and is ready to give any dog on the racetrack a good flogging. Bundaberg's total point score to date is 119. Bundaberg has earned his ED Certificate, which Linda has got and is awaiting on Mum for the FOX.

JAY JAY is a Staffi X aged 9 years owned by Raelene Gibbs and Malcolm Stewart from Queanbeyan Flyball. Jay Jay is a lovely natured dog till you get between her and a bowl of food, then she will run you down to get to that food (I'm only joking). She just loves her cuddles and will sit in anyone's lap to get them. Jay Jay's total point score to date is 157. Jay Jay has earned her FD and FDX certificates. Raelene already has the FD but does she know about the FDX?

JAGGER is a very handsome Red Border Collie aged 2 owned by Eric Van Zuyden from the Croydon & District Obedience Dog Club in Melbourne. Being so young Jagger still has a few kinks but he has come along with his training wonderfully and is roaring along at a great pace. Jagger is full of beans and a real handful for Eric to control at the start line. He would run the flyball course forever if Eric let him. Jagger's total point score to date is 105. Jagger has earned enough points for his FD and FDX certificates. Eric wasted no time at all to get those certificates on the wall.

CHELSEA is a Mastiff X aged 2 owned by Paul Robinson from the Croydon & District Obedience Dog Club. Chelsea is the sort of dog you look at and then take a step back pulling your own dog a little closer. Her looks are very deceiving and she has a lovely nature and loves her flyball and Paul. She has had a wonderful year with flyball and Chelsea and Paul have done extremely well together. Chelsea has a total point score of 99. Chelsea has earned her FD certificate, which Paul already has hanging up and is one point away from her FDX.

MADDISON is a Border Collie aged 3 owned by Meg Ryan from the Croydon & District Obedience Dog Club. Maddison and Meg had a wonderful time in Melbourne at the Croydon Competition last February and was a real credit to her team. Maddison's total point score to date is 99. Maddison has earned her FD certificate which Mum already has and is only one point off the

FDX certificate along with fellow team-mate Chelsea. Watch out for these two dogs at the next competition.

SALLY is a Blue Heeler aged 6 owned by Lorrelle King from Queanbeyan Flyball. Sally puts in a lot of effort and has a great time at flyball. Sally has no hesitation in doing flyball for anyone so long as you say go. She is just there to have fun and make as much noise as she can. Sally's total point score to date is 92. Sally has earned her FD certificate, which Lorrelle already has, hanging up at home. Not far to go for the FDX.

SCOUT is a Terrier, Kelpie, and Whippet X aged 5 owned by Samantha Marchesani from the Croydon & District Obedience Dog Club. Scout is definitely a dog to see and has had a great year doing flyball with Sam. They have worked well together all year as a team. Scouts total point score to date is 90. Scout has earned her FD certificate and is well on the way to her FOX.

GEMMA is a sweet Border Collie aged 1 year old owned by Jenny Pheeny from the Eurobodalla Canine Club. Gemma has just started her flyball career for her team and still has a few problems to iron out. But she has managed to pick up 86 points in the short time that she has been participating in flyball. (Gemma has earned her FD certificate and is close to that FDX. Jenny you are supposed to hang the certificates on the wall not let them sit in my office to go to waste.

CASPER is a Cattle Dog aged 3 years owned by Yilka Dickinson from Queanbeyan Flyball. Casper has had a wonderful time this year doing flyball and his own thing on the way back. He is still working through some problems with Yilka but has come a long way so far. Casper has a total point score of 79 for this year. Casper has earned his FD certificate, which Yilka has already got on the wall.

NEDDY is a German Shorthaired Pointer aged 5 years, owned by Le Hammer from Canine Fun Sports Pty Ltd in Sydney. Neddy has the time of his life doing anything with Le and they make a wonderful team together. He has had a great year doing flyball and has easily managed to get 70 points for the year. Neddy has earned his ED certificate this year.

COSMO is a Border Collie aged 3 owned by Josie Kimpton from Manly & District Dog Training Club in Sydney. Cosmo has had a great time this year doing flyball and in one competition at the Sydney Royal, this year earned 70 points. Cosmo has earned his ED certificate this year but as yet Josie has not claimed it for him.

KOONUNGA is a Collie Rough aged 2 years owned by Sandra and Brian Crowley from the Keilor Obedience Dog Training Centre. Koonunga has a ball doing flyball. He loves playing with all his mates in the team and he loves the fact he has Mum and Dad running around after him all day. Boy does he keep them busy and being the centre of attention. Koonunga's total point score for the year is 68. He has earned his ED certificate, which was dispatched, to Sandra and Brian post haste.

JESSIE is a little X bred aged 5 owned by Rodney Gooch from the Keilor Obedience Dog Training Centre. Jessie loves doing her flyball and has Dad tearing his hair out at every competition. By the way Goochie is the AFA's Victorian State Representative, so if you have any inquiries in Victoria just ask Goochie. If you see Rodney and Jessie at the next flyball competition say gid-day and ask him whose dog did a number 2 just before the start line on their return run in a flyball race. Jessie has a total point score of 56 for this year and has earned her FD certificate, which is on the wall at Goochie's place.

ZAC is a Border Collie aged 3 owned by Brette Mullany from Queanbeyan Flyball. Zac is a large Border Collie and a very strong dog. Brette has the time of her life trying to hang on to him at a competition. Zac has a passion when it comes to flyball, but at least he saves Mum going to the gym for her exercise, he drags her all over the place. Zac's total point score to date is 56 and he has earned his FD certificate this year.

YODA is a Bull Terrier X aged 9, owned by Di Lopaten from Queanbeyan Flyball. Yoda hasn't been to flyball training for about 12 months but when it comes to a competition, he never forgets. Yoda loves his flyball and can't wait to get into it. He's one of the noisy ones and usually sets all the other dogs off. Yoda's total point score to date is 55 and he has earned his FD certificate this year. As yet this has not been claimed.

TOUCH is a Border Collie aged 6 owned by Graham & Gillian Elven from the Agility Dog Club of NSW in Sydney. Touch is a lovely dog and very quick. She competed in one competition at the Sydney Royal this year earning 55 points in total. Well done Touch. Hope to see you, Graham and Gillian at the next competition. Touch has earned her FD certificate this year, but as yet she has not seen it.

BEAU is a German Shepherd aged 6 owned by Gary Harwood from Queanbeyan Flyball. Beau is another Yoda and even though he has not been to training for 12 months he hasn't forgotten the job he is supposed to do at the flyball competition. Beau's total point score this year is 80 points and he has earned his FD certificate. Due to illness

Beau's last competition was the CDC comp on the 23/5/98 and Gary has now officially retired Beau from flyball.

SAMMY SUE is a Foxie X Cattle dog owned by Gloria Boon from Castle Hill Agility. Sammy Sue and Gloria have both had a lot of fun this year competing in flyball events. Sammy Sue's total point score to date is 40 and she has earned her FD certificate.

JORDAN & JEZZA are both Border Collie's aged 4 and 6 respectively. They are both owned by Lorraine McKay from Southern Dog Obedience Club in Melbourne. They both have competed in two flyball comps and managed to get 37 points each for the year. They both have earned their FD certificates which Mum proudly displays on the wall.

JANNAH is a Border Collie owned by Veronica Hessels from the Southern Dog Obedience Club. Jannah attended her first competition in Melbourne at the Mooroolbark Festival. Jannah did very well in her first competition and earned herself 36 points. This has given Jannah enough points for her FD title certificate, which as yet she has not seen.

CASH is a German Shorthaired Pointer owned by Leanne Jones from the Southern Dog Obedience Club also. Cash absolutely loves playing flyball and I think Leanne quite enjoys it too. Again the Mooroolbark Festival was Cash's first flyball competition. He did very well and also earned himself 36 points, which enable Leanne to get his FD certificate.

TISHA is an Australian Cattle Dog aged 6 owned by Jenny Dewson from Queanbeyan Flyball. Tisha enjoys doing flyball whenever she can. She has one slight disadvantage from the other dogs Tisha is deaf But not the only one there is also another deaf Cattle Dog at CDC that does flyball. Tisha's total point score to date is 99. Tisha has earned enough points for her FD certificate.

HOLLY is a Cocker Spaniel aged 5 years owned by Mal Williams from the Agility Dog Club of NSW. Holly has been in one flyball competition, the Sydney Royal at Easter and did she perform well. Mal was a pleased as punch with her performance. Holly's total point score for the year is 30. Ma! wasted no time in getting her FD certificate home to put on the wall.

CASSIE is a Border Collie aged 7 owned by Reg Dwyer from the Tuggeranong Dog Training Club. Cassie just loves playing with Dad and having fun at flyball. Cassie is a very smart little girl and knows how to put one over Reg mind you she's cute enough to put one over anybody. Cassie's total point score to date is a surprise for Reg, she

has 21 points. She now qualifies for her FD certificate; Cassie is just waiting for Reg to get it for her.

INDIA is a Red Border Collie aged 7 owned by Sue Dwyer from the Tuggeranong Dog Training Club. Sue is an AFA Judge and does not always run India at the competitions but now we know how he got his 21 points (only joking). India has enough points for his FD certificate. So come on Sue lets give him an incentive for that FDX.

SNEEKER is an Australian Kelpie and is one of the original Flyball dogs from the ACT Companion Dog Club. This year she has returned to the sport in awesome style as a member of the Power Paws team. Handled by Vikki Evans, Sneeker has achieved her FD & FDX.

BARNEY is a 2 year old Collie X. Barney is another member of the Power Paws team who has grown from strength to strength over the last nine months. As a relative new comer to the sport Marc and Joanne Harris are very proud of his FD and FDX (and oh so close to the FDCh!).

CLAUDIA is a very loyal member of the Power Paws team. She is one of the most reliable dogs at the ACT Companion Dog Club and is picking up speed in impressive style - she will soon rival the very fastest. Handled by Tamara Brown, Claudia has achieved her FD & FDX.

ISAAC was one of the original Power Paws team members. He had one speed; fast and furious! Before relocating to Melbourne Dee Scott and Isaac managed to get their FD and almost their FDX hopefully these names will soon appear under the banner of a Melbourne team.

BLAZE is a Border Collie who trains at the ACT companion Dog Club in the Power Paws team. Blaze has a promising Flyball career ahead of him. Blaze, handled by Frank Green has earned his FD.

JESSIE is also a Border Collie who is relatively new to Flyball but has taken to it like a true natural. Jessie is a member of the Power Paws team and handled by Rhona Shields, has achieved her FD. This is another dog with true potential to keep an eye on in years to come.

ANGELIQUE is a Miniature Poodle aged 2 owned by Christopher Hill from the Tuggeranong Dog Training Club. Christopher has worked very hard with Angelique and has done very well with her. She has received a couple of frights doing flyball and each time Chris has brought her back to race form. Well done Chris and Angelique. Angelique's total point score to date is 21. As

soon as Chris hears about it I'm sure he'll be straight in to get Angelique's FD certificate.

SAM is a X-bred and looks something like a New Foundland. Sam is 3 years old and owned by Julie and Paul Dorogi from the Keilor Obedience Dog Training Centre. Sam is a real laugh at any competition, he is another dog that seems to know how to pull Mum and Dad's strings and get them to run after him all day. I've even seen everyone in the team run after him. Sam has done well and his total point score to date is 20. Mum and Dad must have waited at least 3 minutes to claim his FD certificate.

JYOTI is a German Shepherd X. She is the fastest dog from the Companion Dog Club Power Paws teams and has been their far from secret weapon for some time. Originally trained and run by Catherine Alexander, Jyoti is now mostly handled by Jim. Jyoti has earned enough points for her FD, FDX & FDCh.

BUDDY is a 3 year old Border Collie X. Buddy is Flyball's greatest fan. He has been participating in Flyball for nearly two years. Buddy is by far the noisiest dog from the Power Paws teams. Handled

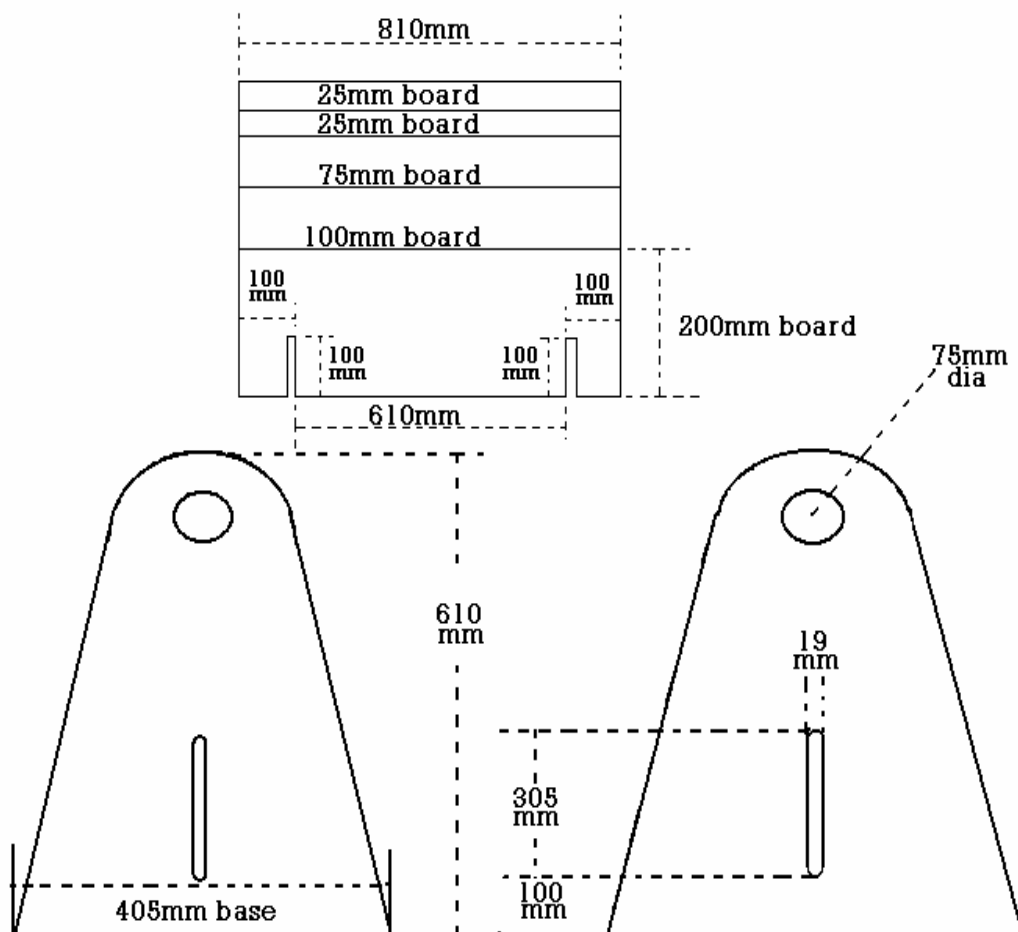
by Alison McCann he has earned his FD, FDX & FDCh.

TINA is a toy poodle and is always a crowd pleaser. What she lacks in size she more than makes up for with speed. Another extremely enthusiastic Flyball participant, she literally shakes with anticipation. Handled by Ivy Moufarrige, Tina had earned her FD & FDX.

CHARLIE is a shorthaired Border Collie. Charlie is a long term member of the Power Paws team who has dramatically increased in speed since the end of last year. Handled by Justine Figg, Charlie has achieved he FD, FDX & FDCh and promises to be one of the Power Paws future stars.

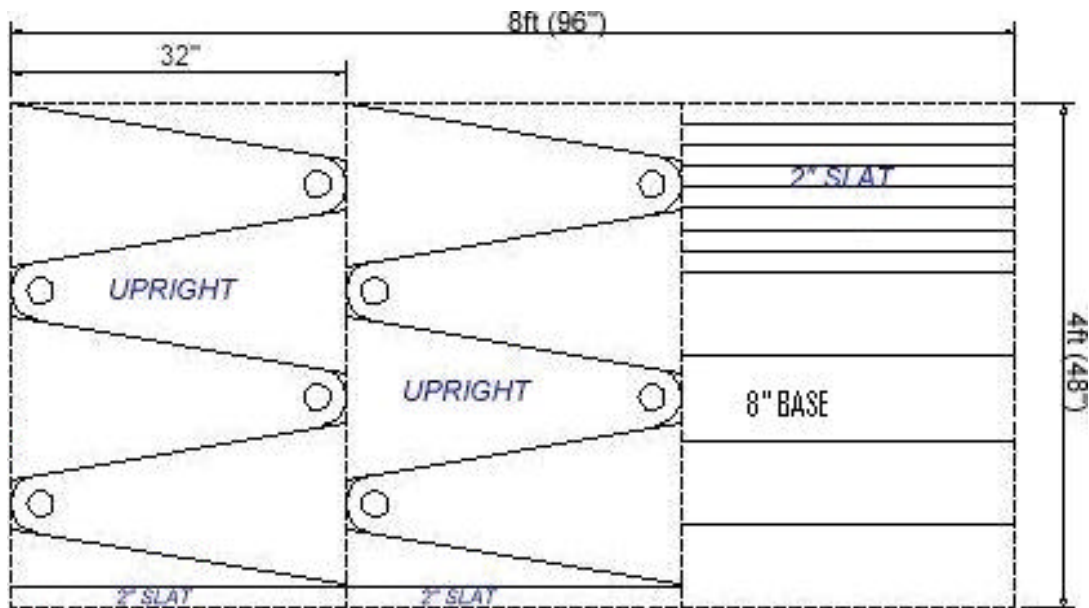
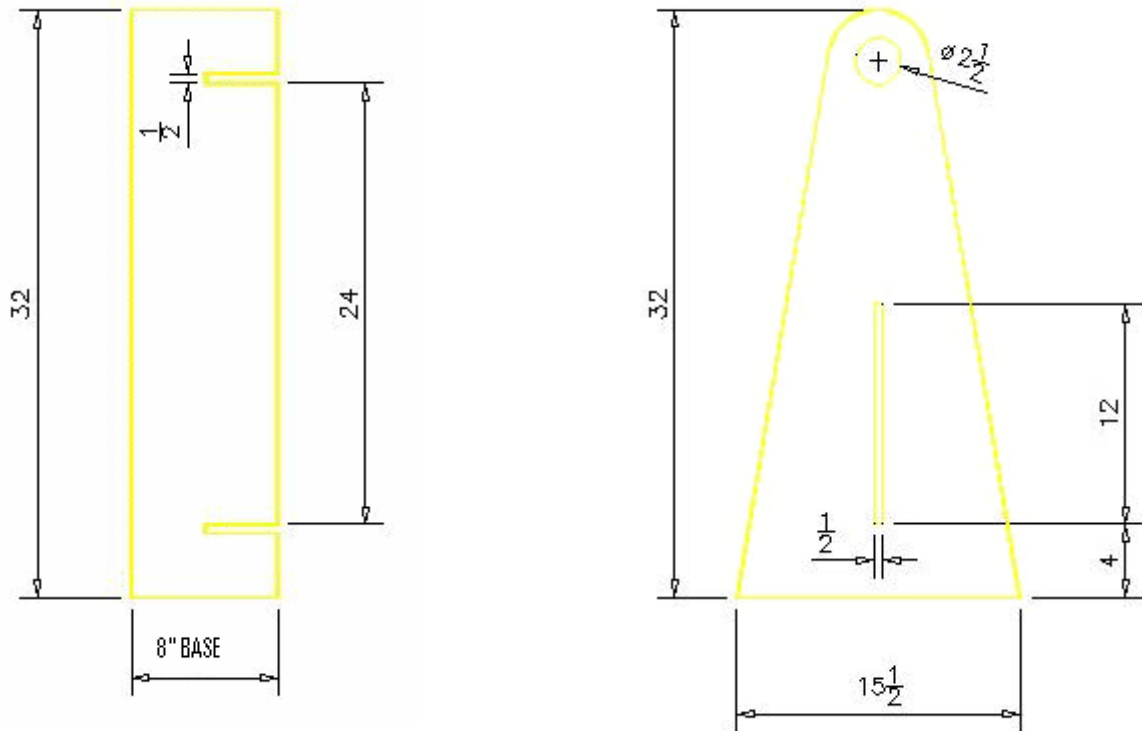
JET GIRL is a black Labrador X. She is another extremely fast Flyball dog with heaps of energy and enthusiasm to match, and the added bonus of reliability. Jet Girl is handled by Andrea Stunden and has earned her FD & FDX.

FLYBALL JUMP PATTERN



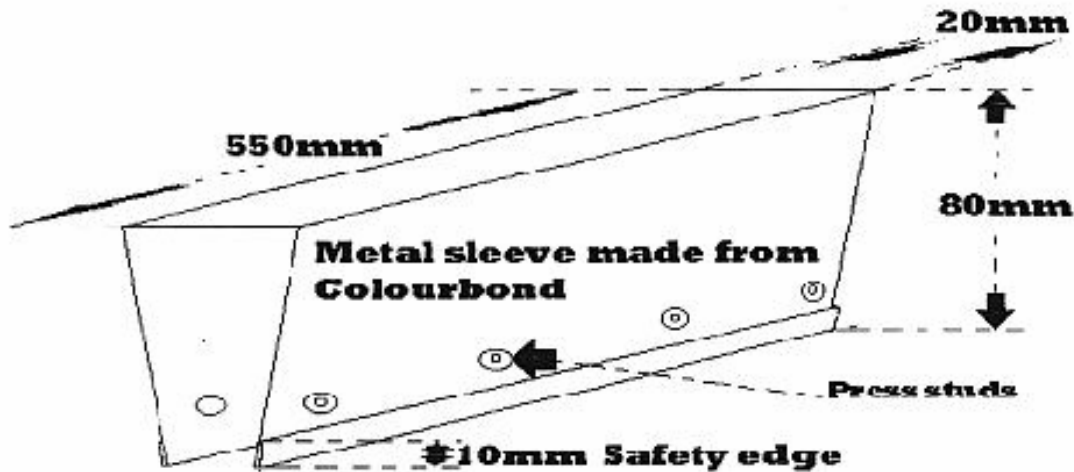
8" BASE BOARD
 32"W x 8"H x 1/2"T

UPRIGHTS
 15 1/2 "W x 32"H x 1/2"T

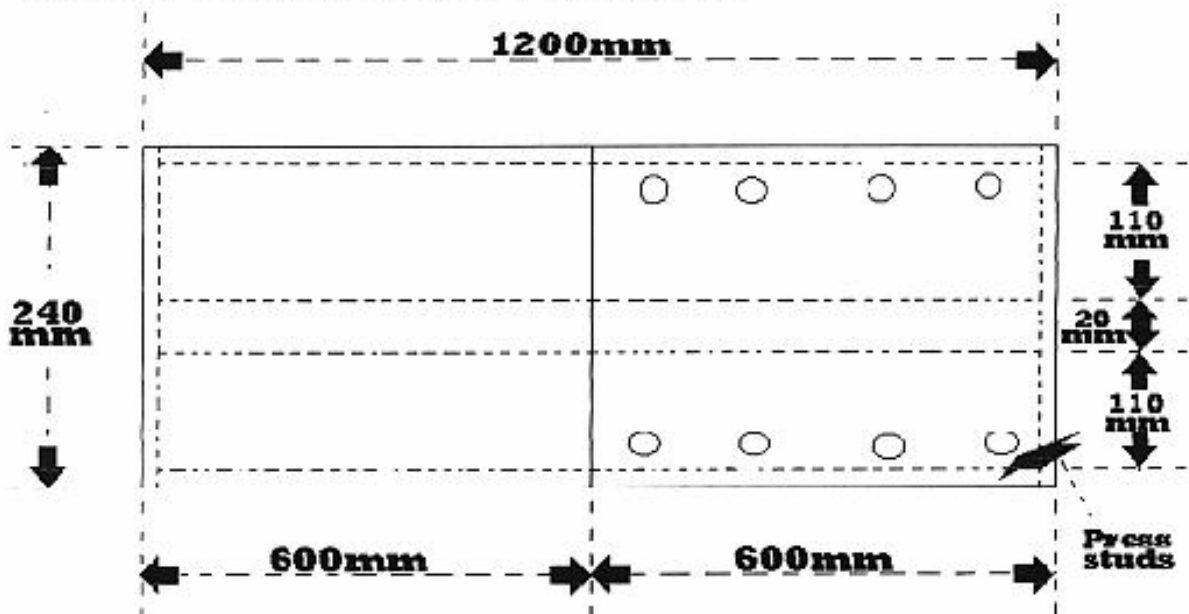


Tools needed: Table saw or a Skill saw, Jig Saw, Drill, Drill bits, Sander or sand paper.
When purchasing the plywood from the lumber store, ask them to make two (2) - 32" cuts for you on their cross cut saw (if they have one). You want three 32"x48" pieces of plywood. This makes it easier to transport and to work with. To make sure all the uprights are uniform, make a cardboard tracer with the appropriate dimensions.
Sand and paint. The 8" base boards and slats, must be painted white as per AFA regulations. Exterior oil base paint is recommended.
If Jump heights higher than 12" are needed you will need to cut out another 4-4" or 8-2" slats from an extra piece of 1/2" plywood.

PADDING FOR TOP OF JUMPS



Canvas or similar padding layout



Measure out the area for press studs and fit. Fold material in half with clip part of press stud on the inside. Sew side seams then turn bag in the right way so ragged seams are on the inside. The press studs should now have the clip part on the outside on one side only. Measure to the middle of the bag and mark. Measure one centimetre to either side of the middle mark. This is where you sew the two middle seams that fit flatly on the top of the sleeve. When this is done you can stuff with the padding (we used white quilt padding) either side of the middle seams. Make the padding as firm as you think it should be remembering it has to fit the sleeve. Then sew the top seam.

Points are updated to the 12th September 2005

CRN	Points	CRN	Points	CRN	Points	CRN	Points	CRN	Points	CRN	Points	CRN	Points
1C	15294	254A	7435	400A	361	526B	390	609A	0	753A	1576	891A	10
28A	9065	262A	6801	400B	299	530A	529	610A	2684	754A	1549	892A	223
29A	11346	262B	5445	405A	259	530B	18	611A	1543	757A	3727	896A	9
44B	15143	266A	498	407B	3008	531A	2797	617A	55	758A	250	897A	2
44C	910	266B	0	419A	1948	532A	2707	619A	9730	761A	1010	898A	8
58A	2007	266C	0	421A	1437	533A	302	620A	925	762A	937	906A	25
59A	3159	271A	7575	423A	13371	534A	8	623A	6224	766A	690	909A	7
60A	7206	271B	923	431A	390	535A	2541	625A	60	767A	6579	910A	4
60B	6298	277A	10187	431B	290	535B	696	625B	0	769A	2090	911A	52
60C	388	284B	4452	433A	15	536A	1908	630A	444	771A	3628	913A	10
67B	244	285A	394	435A	556	536B	1907	633A	756	772A	708	423B	8875
67C	4764	286A	216	435B	743	541A	66	634A	281	779A	0	919A	27
67E	2374	286B	3449	437B	368	542A	6176	634B	798	780A	641	920A	326
68B	7968	286C	128	441A	5823	543A	748	657A	160	785A	1625	922A	9
68C	18	286D	52	443A	2836	544A	633	658A	2551	787A	1109	344B	173
72C	0	296B	603	443B	702	547B	0	659A	4617	789A	137	946A	8
74A	8128	297A	4907	444A	5821	548A	6662	660A	6834	791A	2358	956A	56
74B	5850	299A	903	447A	4311	548B	6270	660B	1361	791B	80	962A	1
80B	4997	299B	34	450A	7	549A	9111	660C	16	795A	329	719A	1597
80D	125	304A	12865	456A	49	549B	12	665A	1302	795B	995		
87A	103	304B	3581	459A	193	551A	60	666A	7692	795C	296		
88A	2890	315A	9105	461A	12080	552A	8159	668A	956	797A	30		
88B	10073	319B	2086	462A	1914	552B	207	669A	1401	798A	3524		
92A	30692	326A	9125	462B	4507	553A	1840	670A	237	801A	10		
92C	12563	326B	75	463A	200	553B	3	674A	81	802A	2		
92D	13351	328A	1154	464A	7087	554A	1036	675A	911	803A	64		
97B	4310	330A	249	464B	3130	554B	10795	679A	152	804A	0		
100A	5676	330B	121	467A	9	554C	636	680A	1420	810A	5		
100B	4996	333A	14317	472A	1736	556A	3214	685A	42	707A	1466		
113B	2	333B	1110	472B	4618	557A	1013	686A	2548	814A	1048		
115A	13975	334A	2307	472C	3084	558A	5069	688A	1016	815A	214		
115D	15756	336A	29307	478A	7784	559A	11086	689A	388	816A	220		
128B	7771	288A	1787	478B	378	561A	380	690A	1131	817A	20		
153C	11753	338A	4333	479A	757	562A	1078	692A	809	818A	606		
136A	6958	340A	806	480A	2435	562B	3078	696A	474	821A	342		
141A	2883	342A	2127	483A	800	562C	548	699A	4297	822A	0		
147B	2949	342C	1065	485A	2096	564A	9730	700A	40	823A	3699		
150A	11804	344A	616	485B	21	569A	9452	700B	4608	833A	291		
150B	3549	348A	9571	488A	120	569B	6723	702B	5	705A	1693		
150C	46	351A	2741	489A	7387	571A	9487	703A	1837	837A	956		
163A	177	357A	3174	491A	1178	571B	2071	704A	0	838A	29		
163B	154	358A	11	491B	0	572A	3500	706A	1582	840A	1		
178A	38056	359A	340	492A	596	572B	1945	713A	5279	841A	1495		
178B	15941	360A	15	492B	1805	576A	1730	714A	364	843A	10		
182A	15539	366B	1679	493A	235	577A	933	715A	1536	845A	1		
186A	624	368A	32	493B	3938	577B	654	717A	1565	849A	1771		
187A	547	369A	0	496A	169	577C	260	718A	96	850A	309		
187B	1753	369B	65	501A	290	577D	12	718B	1	851A	1067		
190B	7746	371A	559	508A	3609	578A	147	719B	408	852A	6		
191B	0	371B	51	509A	583	583A	1635	724A	4997	855A	8		
201B	8146	372A	6614	510A	943	583B	860	727A	942	857A	259		
204A	621	372B	0	510B	1090	584A	215	731A	611	858A	2542		
215B	183	374A	8291	510E	684	591A	75	736A	42	861A	284		
215C	1530	375C	5876	510F	159	592B	555	738A	718	863A	1608		
234A	4143	375E	1992	513A	6905	592C	633	740A	5330	864A	22		
239D	11715	378A	8688	515A	3168	593B	376	741A	64	868A	193		
244A	7921	378B	1364	515B	1084	594A	724	742A	124	875A	33		
244B	10261	384A	287	516A	10412	595A	1723	745A	593	876A	193		
247A	6876	385B	553	519A	3780	597A	642	749A	2172	877A	477		
248A	21	387A	675	520A	166	597B	240	749B	1709	878A	101		
250A	6472	387B	0	521A	7931	598A	6281	749C	638	880A	5		
251B	9154	395A	8505	524A	113	600A	7891	750A	2172	886A	15		
251C	1292	395B	147	524B	0	601A	10380	751A	2422	888A	0		
253A	31054	396A	11902	526A	111	608A	294	752A	198	890A	0		

Advertise your pet business or club

can you be found in

THE PET DIRECTORY™

The Who's Who of the Pet Industry - A Guide to Pet Products & Services

List your
pet shop, aquarium or pet related business
... club, stud, kennels, reptiles, caviary,
rodentry, aviary, cattery, ...

BOOK NOW on our website for the next edition!
www.PetDirectory.com.au

Distributed by vets
☎ 617 3849 6397 📠 617 3503 9066 📍 49 Pickworth Street, Upper Mt Gravatt QLD 4122
✉ thePetDirectory@GoldOnLine.com.au 🌐 www.PetDirectory.com.au

AFA CONTACT DETAILS

The Australian Flyball Association Inc.
PO Box 4054
Raceview QLD 4305

Regional Representatives – For all inquiries

ACT	Steve Smith	02 6258 9311 or 0404 099 311	act@flyball.org.au
NSW	Vicki Clever	02 4261 9729 or 0425 229 011	nsw@flyball.org.au
QLD	Julie Ivison	07 3202 5382	qld@flyball.org.au
SA	Catherine Saberton	0419 803 924	sa@flyball.org.au
VIC	Emma Le Cras	03 9735 0541	vic@flyball.org.au
Webmaster	Jenny Stirzaker	02 6284 8310	webmaster@flyball.org.au